

DH-CA-M(W)183HP

720TVL HDIS Mobile Camera



Features

- 1/3" HDIS
- High resolution of 720TVL
- Day/Night(ICR), AWB, AGC, BLC
- 3.6mm fixed lens (2.1mm, 2.8mm, 6mm optional)
- Max. IR LEDs length 20m(MW183H)
- Aviation connector, shock-proof
- IK08, DC12V

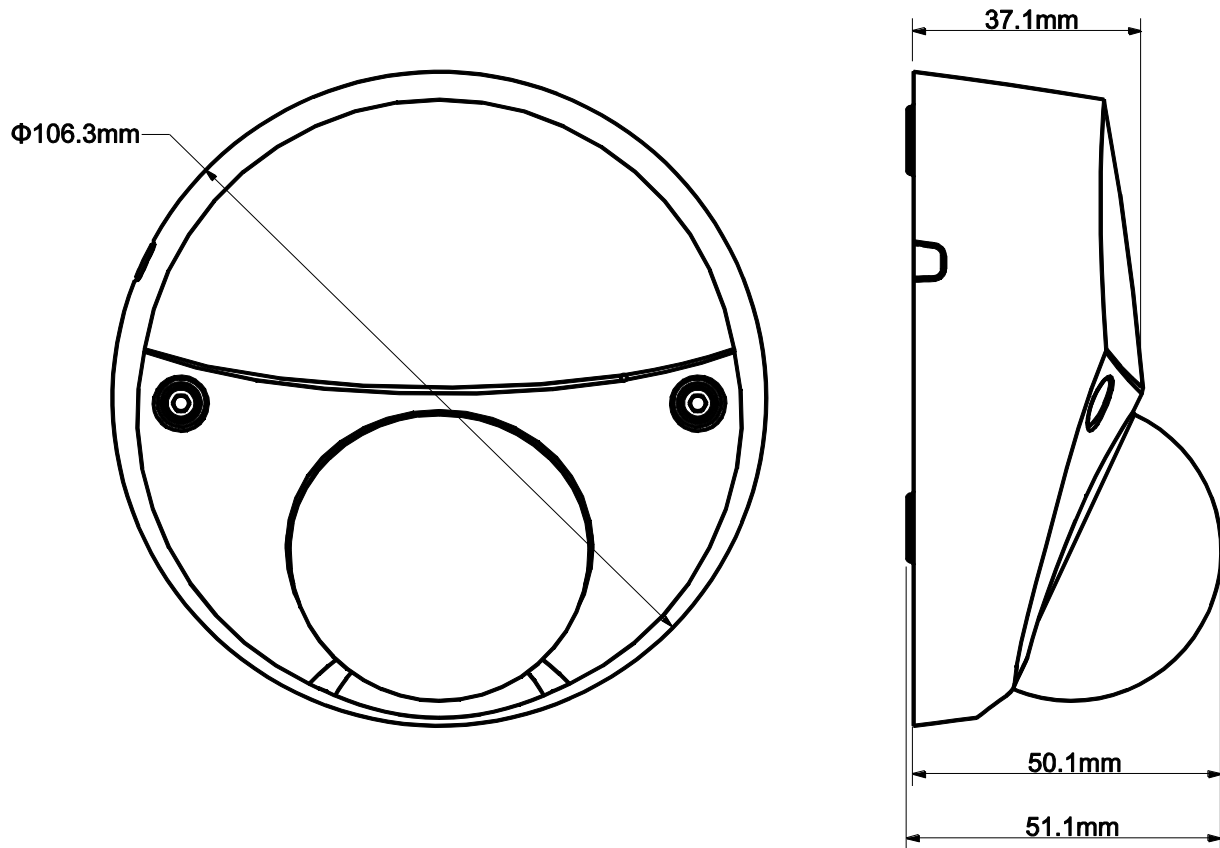
DH-CA-M(W)183HP

Technical Specifications

Model	DH-CA-M183HP	DH-CA-MW183HP-IR1
Camera		
Image Sensor	1/3" HDIS	
Effective Pixels	960(H)×480(V)	
Horizontal Resolution	720TVL	
Electronic Shutter	1/50s~1/10,000s	
Synchronization	Internal	
Min. Illumination	0.02Lux@F1.2(AGC ON), 0Lux IR on	
S/N Ratio	>65dB(AGC Off)	
Video Output	1Vp-p Composite Output (75Ω/Aviation connector)	
Camera Features		
Max. IR LEDs Length	N/A	20m
Day/Night	Auto(ICR) / Color / B/W	
Backlight Compensation	Auto	
White Balance	Auto	
Gain Control	Auto	
Lens		
Focal length	3.6mm fixed lens (2.1mm, 2.8mm, 6mm optional)	
Mount Type	M12	
General		
Power Supply	DC12V±10%	
Power Consumption	Max 1.8W	
Working Environment	-40°C~+60°C / Less than 90%RH	
Ingress Protection	IK08	
Dimensions	Φ106.3mm×51.1mm	
Weight	0.2kg	

DH-CA-M(W)183HP

Dimensions (mm)



Dahua Technology Co., Ltd.

1199 BinAn Road, Binjiang District, Hangzhou, China

Tel: +86-571-87688883

Fax: +86-571-87688815

Email: overseas@dahuatech.com

www.dahuatech.com